



**Series 70** with Dust Drawer and **Series 60** with optional 5-Gallon Pail Pack and fan motor starter

Compact, self-contained dust collector delivers excellent efficiency for in-plant dust and smoke control.

- Reliable and cost-efficient filtration on nuisance dust generated in industrial operations
- High collection efficiency of 99.9% allows recirculation of heated and/or air-conditioned plant air
- Manually-operated filter shaker makes filter cleaning easy
- Quick access to dust drawers and dust pails provides easy and safe maintenance
- Filter changes have never been easier with the EZ Filter Pack™, a one-piece, lightweight filter bag that installs without tools and provides a positive pressure seal

Excellent efficiency on nuisance dust for intermittent-duty applications

- Grinding
- Buffing and polishing
- Machining
- Metalworking
- Packaging
- Abrasive blasting
- Dental labs
- Textiles

## MULTIPLE RATING TABLE

Model	Nominal Airflow*		Motor (hp)	Inlet Qty/ Size		Velocity		External Static Pressure ("wg)	Pressure Drop Clean Filter ("wg)		
	cfm	m <sup>3</sup> /h		in	mm	fpm	m/min				
54	284	482	0.5	(1) 3	(1) 76.2	5804	1769.1	3.16	0.45		
	231	392				4705	1434.1	3.35	0.35		
	171	290				3491	1064.1	3.55	0.30		
64	500	849	.75	(1) 4	(1) 101.6	5720	1743.5	3.50	0.80		
	426	724				4950	1508.8	3.90	0.60		
	323	549				3790	1155.2	4.50	0.45		
	267	454				(2) 3	(2) 76.2	5447	1660.2	2.75	0.84
	232	394				4739	1444.4	3.30	0.67		
	184	313				3758	1145.4	4.00	0.54		
	307	521				(1) 3	(1) 76.2	6269	1910.8	3.75	0.40
	256	435				5222	1591.7	4.00	0.35		
	188	319				3842	1171.0	4.30	0.26		
	66	549				933	0.5	(1) 3	(1) 76.2	3353	1022.0
263		447	5374	1638.0	4.32	0.25					
196		333	4005	1220.7	4.45	0.22					
136		231	2775	845.8	4.78	0.16					
75	550	934	1	(1) 4	(1) 101.6	6322	1926.9	4.90	0.72		
	500	849				5747	1751.7	5.30	0.65		
	450	764				5172	1576.4	5.40	0.56		
	400	679				4598	1401.5	5.50	0.48		
	325	552				(2) 3	(2) 76.2	6633	2021.7	4.50	0.90
	290	493				5918	1803.8	4.90	0.80		
	230	391				4694	1430.7	5.40	0.60		
	335	569				(1) 3	(1) 76.2	6837	2083.9	4.70	0.40
	300	510				6122	1866.0	4.90	0.30		
	200	340				4082	1244.2	5.30	0.20		
81	1071	1819	1.5	(1) 6	(1) 152.4	5462	1664.8	3.70	1.15		
	987	1677				5034	1534.4	4.20	1.05		
	874	1485				4460	1359.4	4.70	0.90		
	524	890				6021	1835.2	3.75	1.05		
	475	807				(2) 4	(2) 101.6	5462	1664.8	4.50	0.90
	418	710				4806	1464.9	5.00	0.75		
	599	1017				6890	2100.1	4.80	0.45		
	493	837				(1) 4	(1) 101.6	5664	1726.4	5.00	0.30
	424	720				4873	1485.3	5.00	0.25		
	84	1231				2091	3	(1) 6	(1) 152.4	6281	1914.4
1143		1942	5831	1777.3	5.80	1.85					
1036		1760	5283	1610.3	6.60	1.78					
875		1486	4460	1359.4	7.30	1.05					
652		1108	(2) 4	(2) 101.6	7493	2283.9				5.90	2.20
573		973	6581	2005.9	6.85	1.85					
438		744	5034	1534.4	7.90	1.05					
1155		1962	(1) 5	(1) 127	8491	2588.1				7.80	1.85
997		1694	7330	2234.2	8.90	1.75					
789		1340	5804	1769.1	8.55	0.89					
700		1189	(1) 4	(1) 101.6	8050	2453.6				7.75	0.59
610		1036	6994	2131.8	7.80	0.46					
505		858	5804	1769.1	7.80	0.31					

\* Based on clean filters.



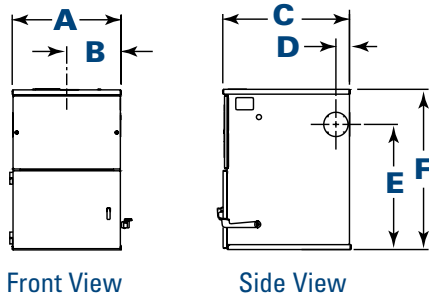
### EASY MAINTENANCE

- Factory installed filter packs include standard cotton sateen bags, polyester inserts for better airflow, galvanized bag clips, slide latches, and center support bar
- One-piece construction includes a closed-cell urethane gasket to ensure a positive pressure seal
- Four filter media selections and three construction choices provide a variety of options to customize the unit for your specific application

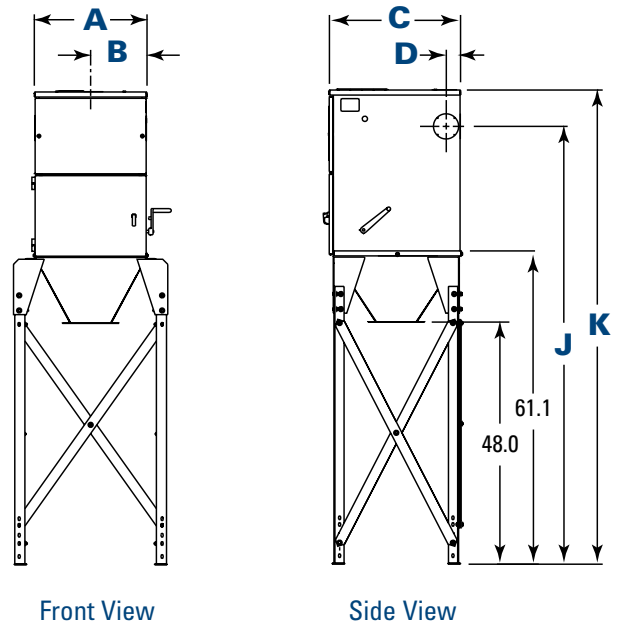


## DIMENSIONS & SPECIFICATIONS

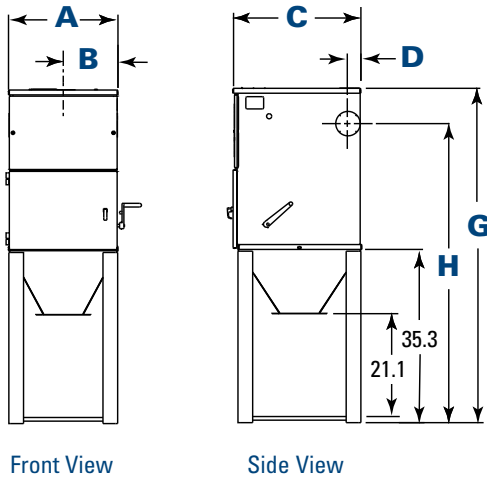
### Cabinet Base



### 55-Gallon Drum Pack



### 5-Gallon Pail Pack



Model Series	Dimensions																			
	A		B		C		D		E		F		G		H		J		K	
	in	mm	in	mm	in	mm	in	mm	in	mm	in	mm	in	mm	in	mm	in	mm	in	mm
50	22.3	566.4	11.2	284.5	21.3	541.0	2.6	66.0	21.9	556.3	26.9	683.3	62.2	1579.9	57.2	1452.9	N/A	N/A	N/A	N/A
60	22.4	569.0	11.2	284.5	26.6	675.6	2.8	71.1	25.7	652.8	32.9	835.7	68.2	1732.3	61.0	1549.4	86.8	2204.7	94.0	2387.6
70	22.4	569.0	11.2	284.5	26.6	675.6	2.8	71.1	36.3	922.0	43.5	1104.9	78.9	2004.1	71.1	1805.9	97.5	2476.5	104.7	2659.4
80	28.5	723.9	14.2	360.7	29.3	744.2	4.3	109.2	40.6	1031.2	47.8	1214.1	83.5	2120.9	75.9	1927.9	101.7	2583.2	109.3	2776.2

Model Series	Filter Area		No. of Bags	Dust Drawer Capacity		Hopper Capacity		Shipping Weight					
	ft <sup>2</sup>	m <sup>2</sup>		ft <sup>3</sup>	m <sup>3</sup>	ft <sup>3</sup>	m <sup>3</sup>	Cabinet Base		5-Gallon Pail		55-Gallon Drum	
								lb	kg	lb	kg	lb	kg
50	30	2.8	24	0.43	0.01	1.86	0.05	165	74.8	236	107.0	--	--
60	60	5.6	24	0.43	0.01	2.34	0.07	170	77.1	265	120.2	298	135.2
70	120	11.1	24	0.38	0.01	2.34	0.07	245	111.1	340	154.2	372	168.7
80	150	13.9	30	1.30	0.04	3.16	0.09	365	165.6	472	214.1	495	224.5

## STANDARD FEATURES & AVAILABLE OPTIONS

STANDARD	OPTIONAL
Heavy-gauge, fully-welded cabinet	Brass shaker bar
Galvanized shaker bar	Aluminum fan wheel
Factory installed cotton sateen filter packs	Magnehelic <sup>®**</sup> gauge
Dynamically balanced steel fan wheel	5-gallon pail pack (18.9-liter)
Inlet locations on top and all three sides	55-gallon drum pack (208.2-liter)
Blue indoor industrial-grade texturized paint	Slide gate
TEFC motor*	Hopper or dump hopper
115/230/60/1 or 208-230/460/60/3 voltages (availability based on collector size)	Inlet collar kit
10-year warranty	Exhaust deflector
	Chamber, attenuator, or stack silencer
	Suction-tube assembly
	Outtrigger pack
	Casters
	HEPA filter
	Motor starter
	Casters
	EZ Filter Pack
	<ul style="list-style-type: none"> <li>• Polyester sateen</li> <li>• Polypropylene</li> <li>• Nonspark</li> </ul>
	<ul style="list-style-type: none"> <li>• Woven polyester</li> <li>• Stainless steel construction</li> </ul>

\* All 60 Hz motors 1 HP and above are EISA compliant.  
 \*\* Magnehelic<sup>®</sup> is a registered trademark of Dwyer Instruments, Inc.

Significantly improve the performance of your collector with genuine Donaldson Torit replacement filters and parts. **Call Donaldson Torit today 800-365-1331.**



Tel 800-365-1331 (USA)  
 Tel 800-343-3639 (within Mexico)  
[donaldsonorit@donaldson.com](mailto:donaldsonorit@donaldson.com)  
[donaldsonorit.com](http://donaldsonorit.com)  
 Donaldson Company, Inc.  
 Torit  
 P.O. Box 1299  
 Minneapolis, MN  
 55440-1299 U.S.A.

**EXACTLY WHAT YOU NEED.™**

**Data Sheet Cabinet 50 - 80 Dust Collectors (09/14)**  
 © 1990 Donaldson Co., Inc. All Rights Reserved. All products, product specifications, and data (airflow, capacity, dimensions, or availability) are subject to change without notice, and may vary by region or country. Donaldson Torit is a registered trademark of Donaldson Company, Inc. Contains Donaldson proprietary technology.