



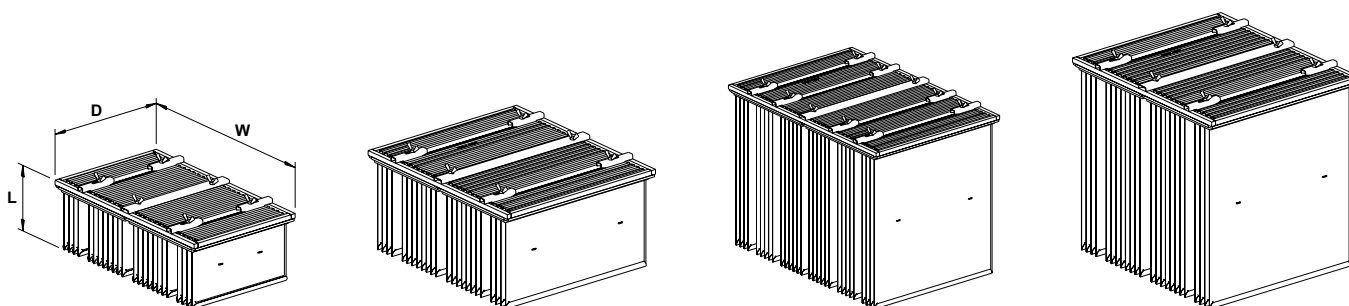
EZ Filter Pack™

- Unique design retrofits Cabinet 50-80 collectors manufactured after 1970
- Compact and lightweight
- One-piece construction ensures easy installation and a positive pressure seal
- Easy installation without tools
- Four filter bag materials and three construction choices cover most applications
- High collection efficiency of 99.9%+ by weight

SPECIFICATIONS

Envelope Style Bags	Cotton sateen FR Polyester sateen Woven polyester Polypropylene
Filter Media Inserts	Air-laid polyester fibers
Efficiency	99.9%+ collection efficiency by weight
Gasket	Closed-cell urethane

Construction	Standard galvanized bag clips, slide latches, and center support bar. Optional stainless steel bag clips available. Non-sparking bag version with additional stainless steel wire-mesh insert and grounding wire available.
Bag Frame	ABS injection molded frame
Warranty	Workmanship and structural integrity are guaranteed for 18 months of operation



CONFIGURATIONS

Cabinet Model	Filter Area		Dimensions - Width x Depth x Length		Filter Pack Weight	
	ft ²	m ²	in	mm	lbs	kg
50	30	2.8	21.75 x 12.88 x 6.50	552.4 x 327.1 x 165.1	9.8	4.4
60	60	5.6	21.75 x 18.88 x 9.62	552.4 x 479.6 x 244.3	17.5	7.9
70	120	11.1	21.75 x 18.88 x 19.50	552.4 x 479.6 x 495.3	22.3	10.1
80	150	13.9	27.72 x 18.88 x 19.50	704.9 x 479.6 x 495.3	27.8	12.6

Significantly improve the performance of your collector with genuine Donaldson Torit replacement filters and parts. **Call Donaldson Torit today 800-365-1331.**



Tel 800-365-1331 (USA)
Tel 800-343-3639 (within Mexico)

donaldsontorit@donaldson.com
donaldsontorit.com

Donaldson Company, Inc.
Torit
P.O. Box 1299
Minneapolis, MN
55440-1299 U.S.A.

EXACTLY WHAT YOU NEED.™

EZ Filter Pack (11/12)
© 1998 Donaldson Co., Inc. All Rights Reserved. All products, product specifications, and data (airflow, capacity, dimensions, or availability) are subject to change without notice, and may vary by region or country. Donaldson Torit is a registered trademark of Donaldson Company, Inc. Contains Donaldson proprietary technology.